

# 44 GALLON CAN GRASS CATCHER

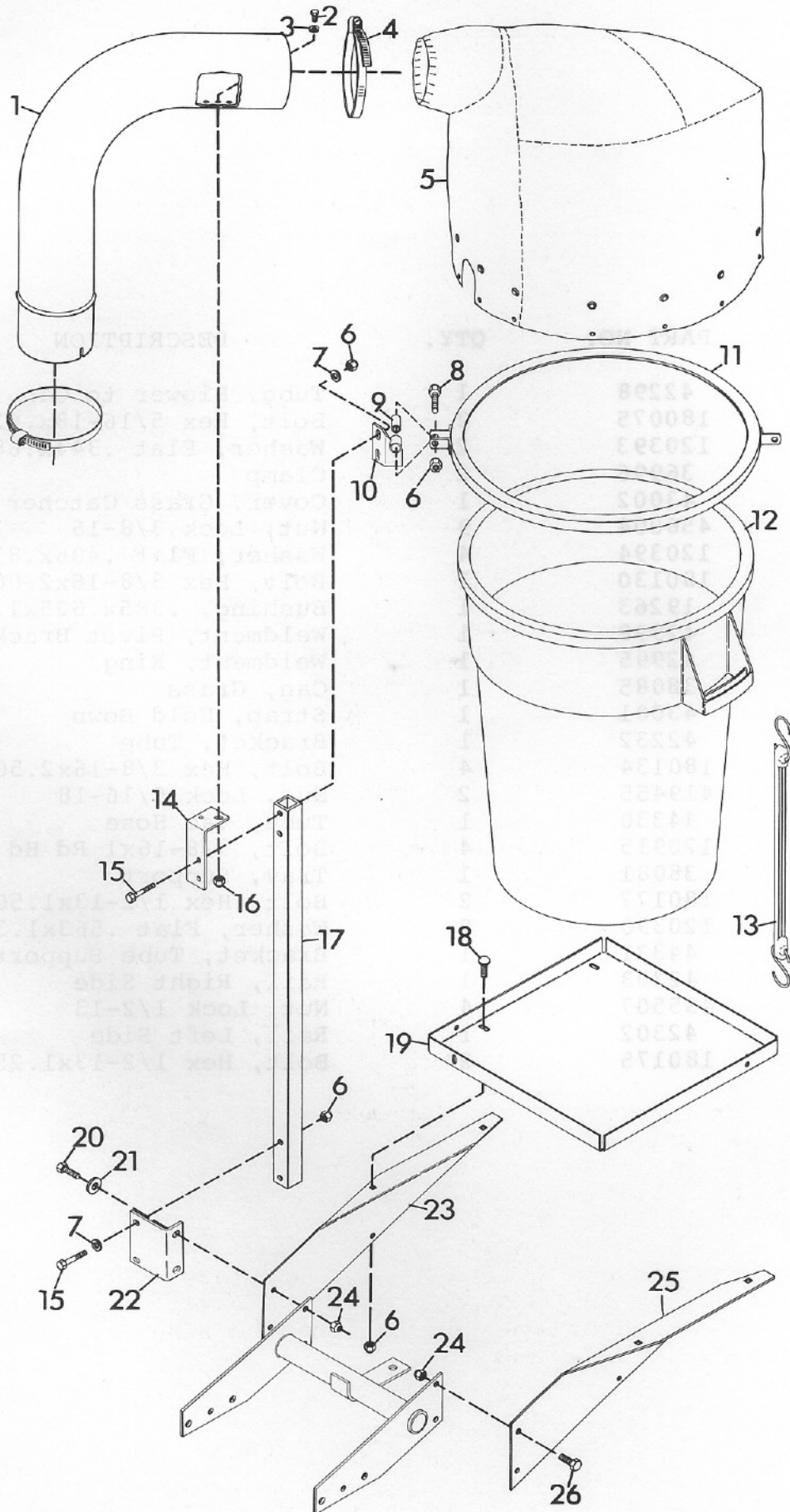
## SECTION 1

### Installation

- 1.1 Install the grass catcher blower on the tractor.
- 1.2 Fasten the left side rail to the outside of the frame mounting plate with two 1/2-13x1.25 bolts and 1/2-13 lock nuts.
- 1.3 Fasten the right side rail and the tube support bracket to the blower support frame weldment with two 1/2-13x1.50 bolts, two flat washers and 1/2-13 lock nuts. See the illustration. (Do not tighten completely.)
- 1.4 Fasten the support tray to the rails with the 3/8-16x1 carriage bolts and 3/8-16 lock nuts.
- 1.5 Fasten the vac hose tube to the tube support bracket with two 3/8-16x2.50 bolts, two flat washers and 3/8-16 lock nuts. (Do not tighten completely.)
- 1.6 Fasten the tube bracket and the pivot bracket weldment to the top of the vac hose tube with two 3/8-16x2.50 bolts, flat washers and 3/8-16 lock nuts. (Do not tighten completely.)
- 1.7 Fasten the ring weldment to the pivot bracket weldment using the bushing, 3/8-16x2.0 hex bolt and a 3/8-16 lock nut. With the ring in the raised position, place the grass can on the support tray. Lower the ring on the grass can. Put one end of the hold down strap through the hole in the tab on the ring weldment and hook the other end under the support tray.
- 1.8 Move the ring around until it is centered on the grass can. Tighten all the bolts previously installed.
- 1.9 Slip a clamp over each end of the blower to can tube. Put one end over the blower outlet flange and the other end onto the tube bracket. Tighten the bottom clamp.
- 1.10 Fasten the tube to the tube bracket with the two 5/16-18x.625 hex bolts and 5/16-18 lock nuts. Use the two holes in the tube that are farthest from the end.
- 1.11 Slip the cover inlet (small opening) onto the tube and retain with the clamp. Pull the cover inside the ring. Fold the edge of the cover around the ring and secure with the snaps in the cover.

SECTION 2

Illustrated Parts and Parts List



Illustrated Parts and Parts List

ITEM NO.	PART NO.	QTY.	DESCRIPTION
1	42298	1	Tube, Blower to Can
2	180075	2	Bolt, Hex 5/16-18x.625
3	120393	2	Washer, Flat .344x.688x.065
4	36996	2	Clamp
5	43002	1	Cover, Grass Catcher
6	456004	9	Nut, Lock 3/8-16
7	120394	4	Washer, Flat .406x.812x.065
8	180130	1	Bolt, Hex 3/8-16x2.00
9	19263	1	Bushing, .385x.625x1.00
10	42998	1	Weldment, Pivot Bracket
11	42995	1	Weldment, Ring
12	38085	1	Can, Grass
13	43001	1	Strap, Hold Down
14	42232	1	Bracket, Tube
15	180134	4	Bolt, Hex 3/8-16x2.50
16	419455	2	Nut, Lock 5/16-18
17	44330	1	Tube, Vac Hose
18	120915	4	Bolt, 3/8-16x1 Rd Hd Sq Nk
19	38081	1	Tray, Support
20	180177	2	Bolt, Hex 1/2-13x1.50
21	120390	2	Washer, Flat .563x1.375x.109
22	44331	1	Bracket, Tube Support
23	42303	1	Rail, Right Side
24	435507	4	Nut, Lock 1/2-13
25	42302	1	Rail, Left Side
26	180175	2	Bolt, Hex 1/2-13x1.25